



National
Qualifications
2016

X735/77/11

**Graphic Communication
Supplementary Sheets**

TUESDAY, 10 MAY
1:00 PM – 3:00 PM

Supplementary sheets for use with Questions 4 and 5.



* X 7 3 5 7 7 1 1 *

[BLANK PAGE]

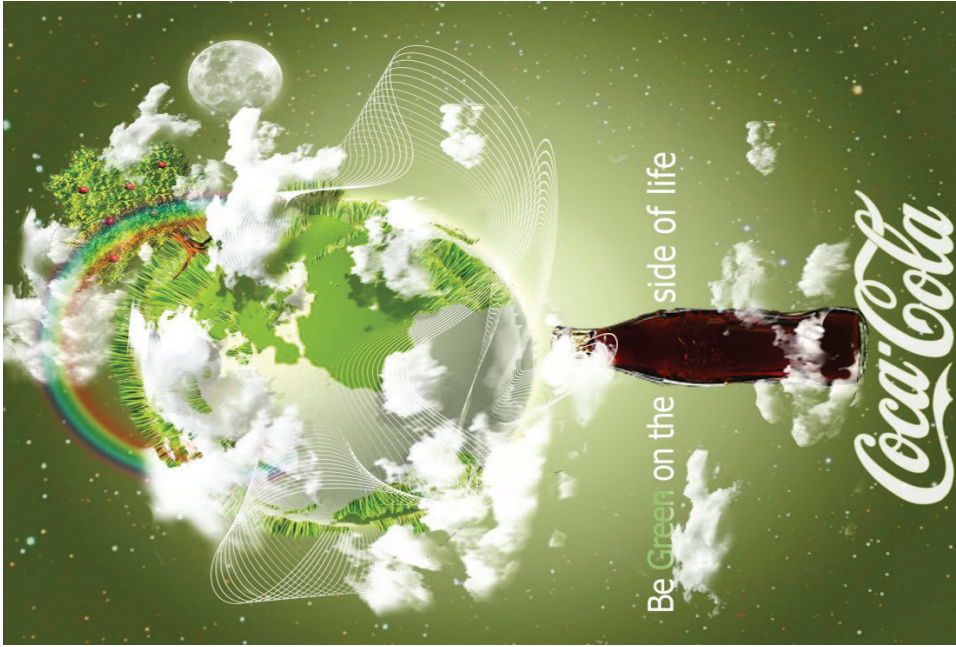
DO NOT WRITE ON THIS PAGE



Graphic 1

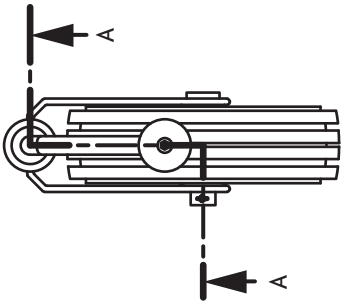


Graphic 2

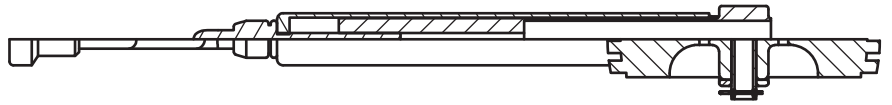


Graphic 3

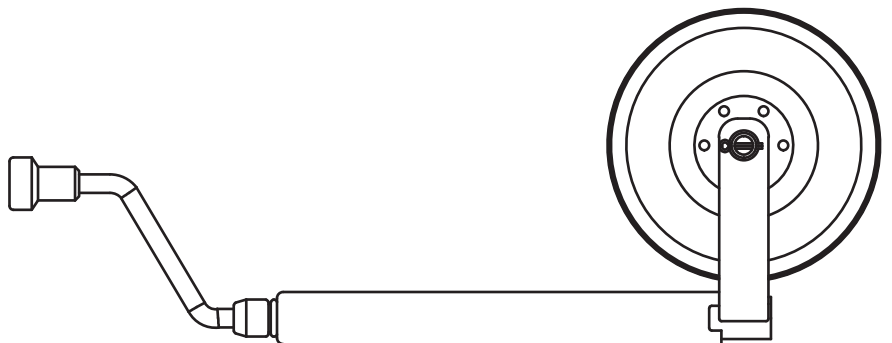
Drawing Title	Sectional Assembly		
Question	Trailer Jockey Wheel		
Date	May 2015		
Scale	Not to Scale		
Sheet	1 of 3		



PLAN



SECTIONAL ELEVATION A - A



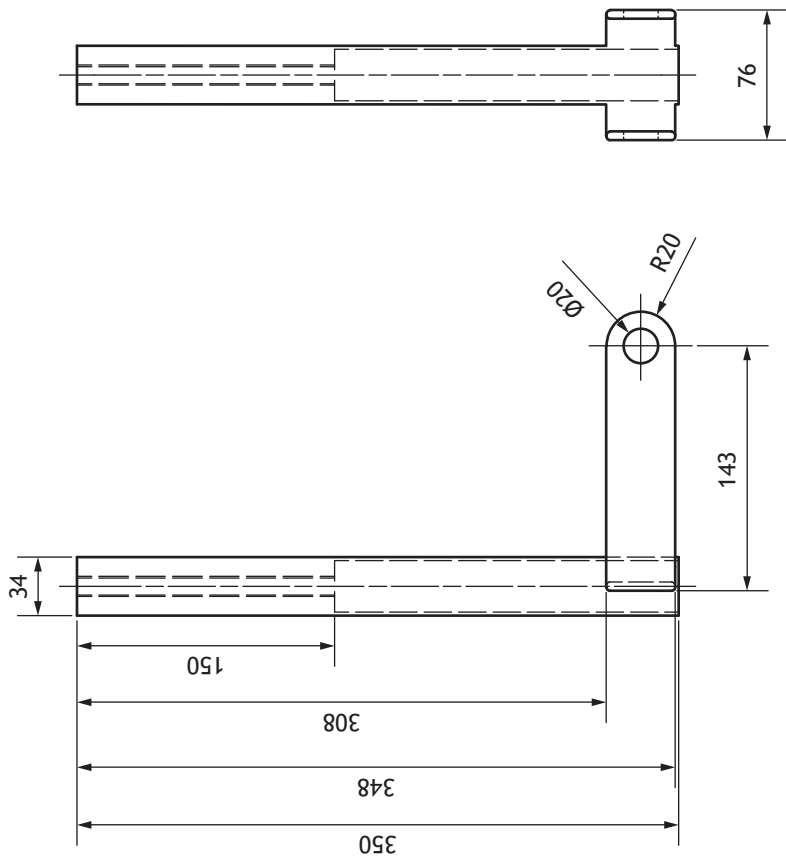
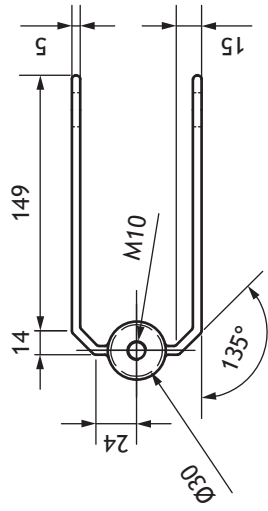
END ELEVATION



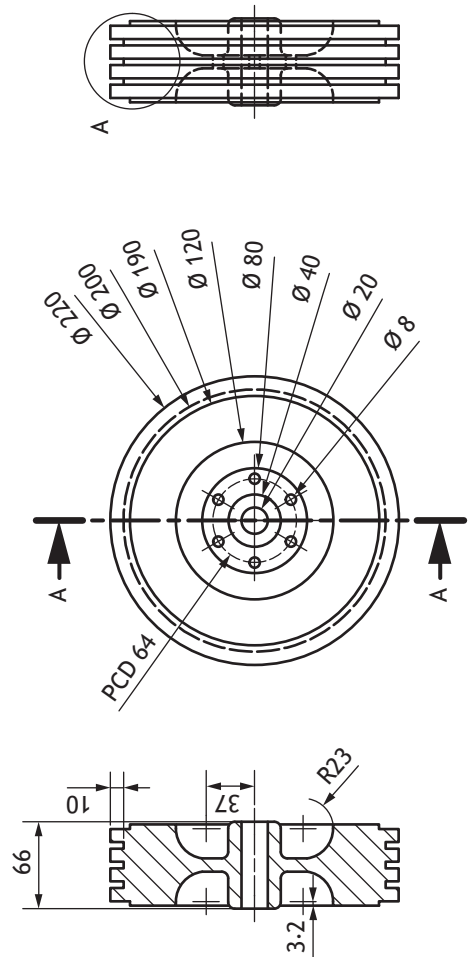
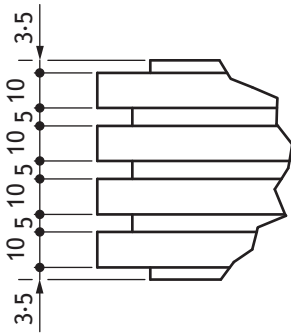
Supplementary Sheet for use with Question 5

Drawing Title	Component Orthographic		
Question	Trailer Jockey Wheel		
Date	May 2015		
Scale	Not to Scale		
Sheet	2 of 3		

BRACKET

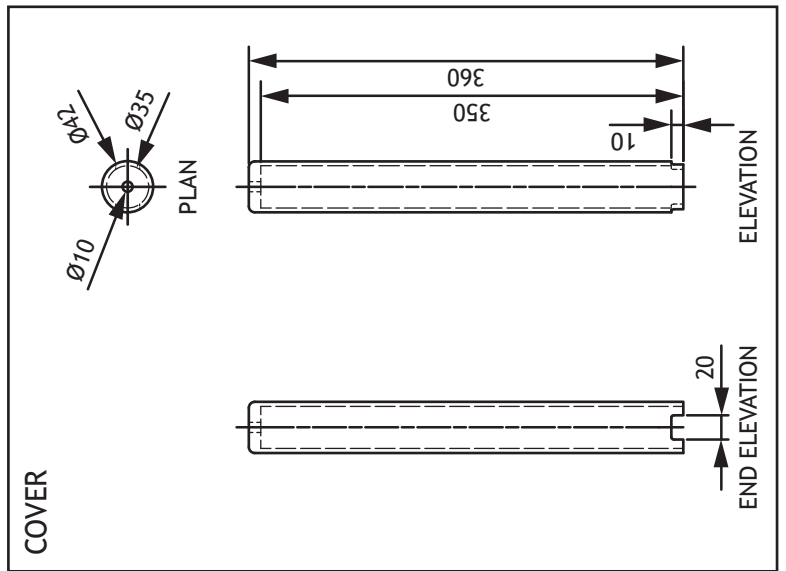
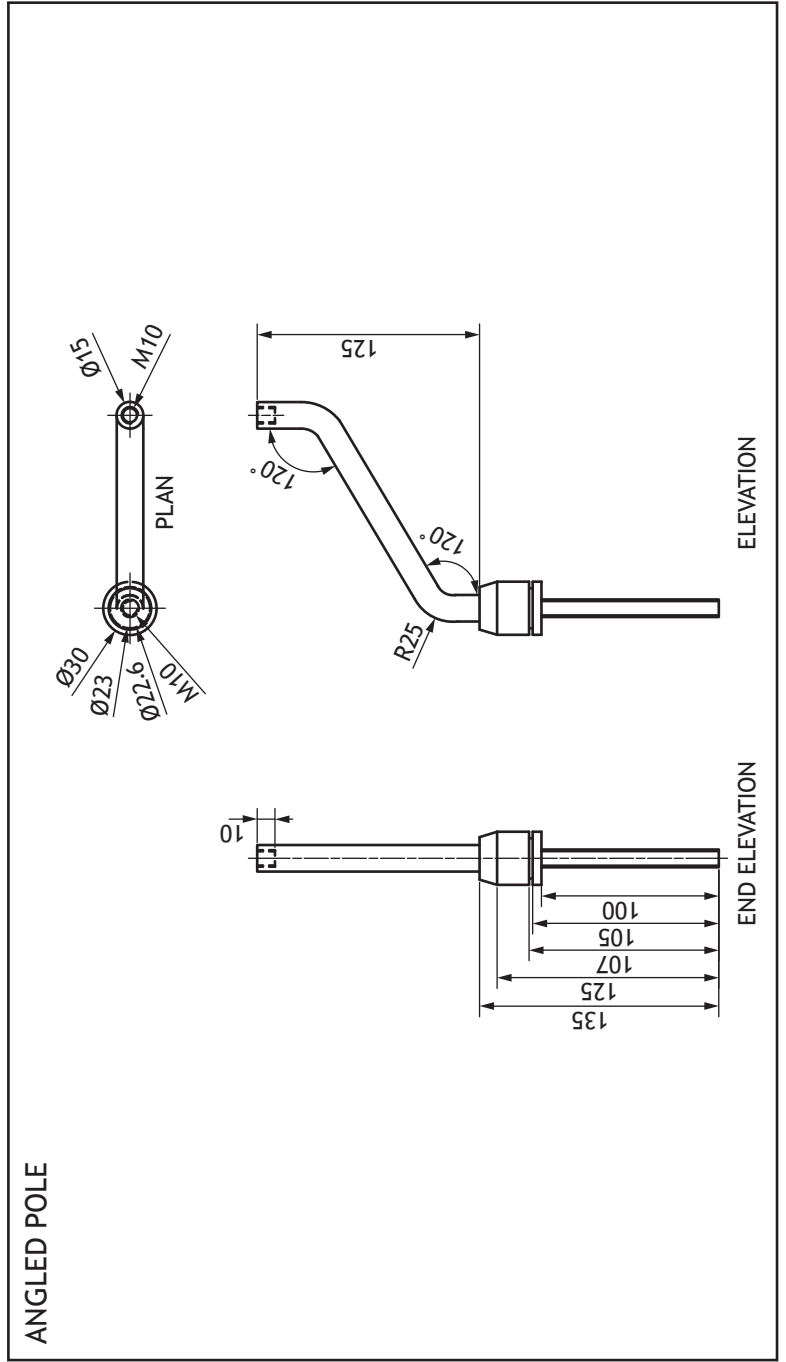
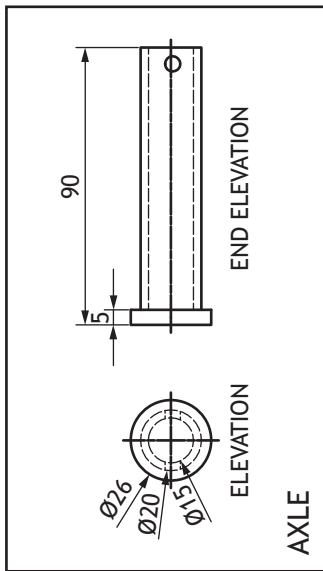
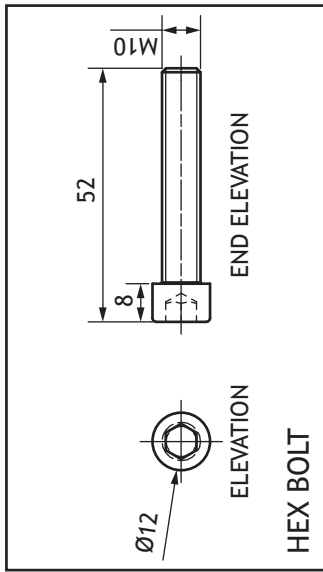
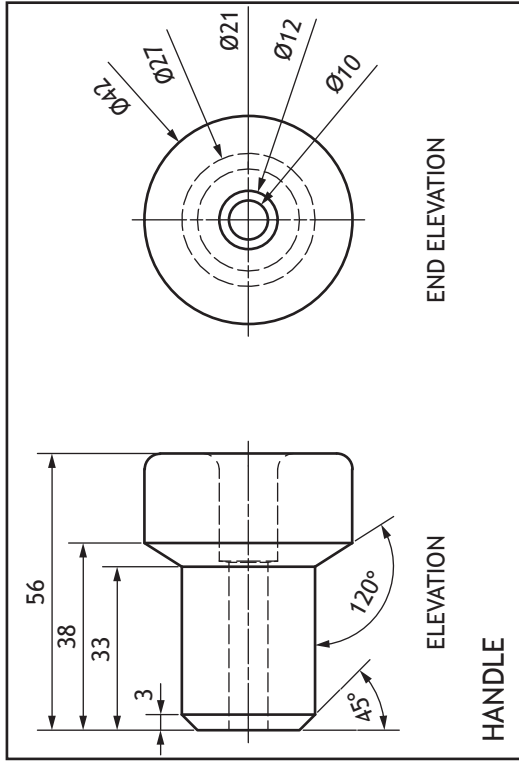


WHEEL



Supplementary Sheet for use with Question 5

Drawing Title	Component Orthographic		
Question	Trailer Jockey Wheel		
Date	May 2015		
Scale	Not to Scale		
Sheet	3 of 3		



[BLANK PAGE]

DO NOT WRITE ON THIS PAGE

[BLANK PAGE]

DO NOT WRITE ON THIS PAGE