



National
Qualifications
2018

X735/77/11

**Graphic Communication
Supplementary Sheets**

THURSDAY, 10 MAY

1:00 PM – 3:00 PM

Supplementary sheets for use with questions 1, 2 and 5.



* X 7 3 5 7 7 1 1 *

Image 3



Image 2

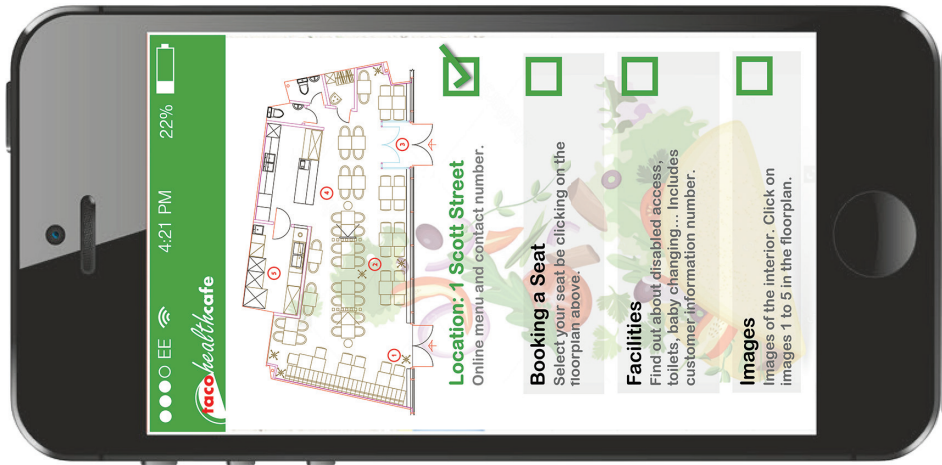


Image 1

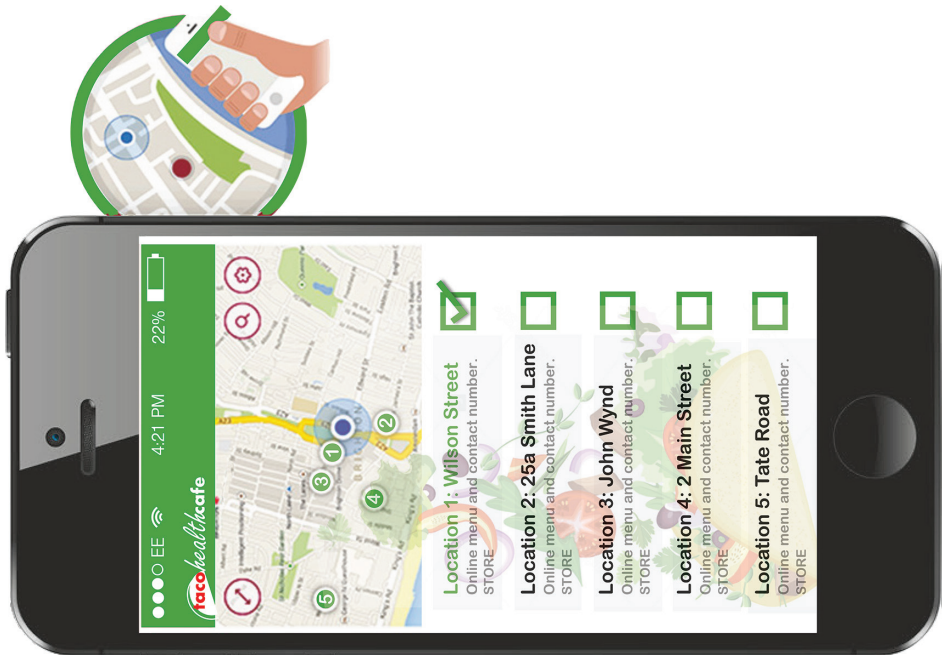
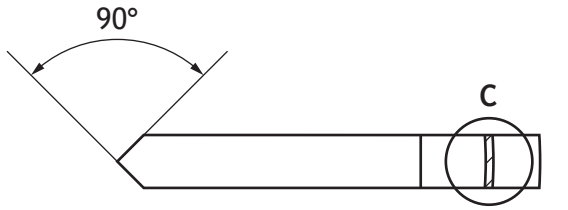




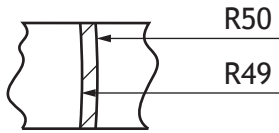
Image 1: An interactive advertisement from the company website aimed at recruiting new graduates



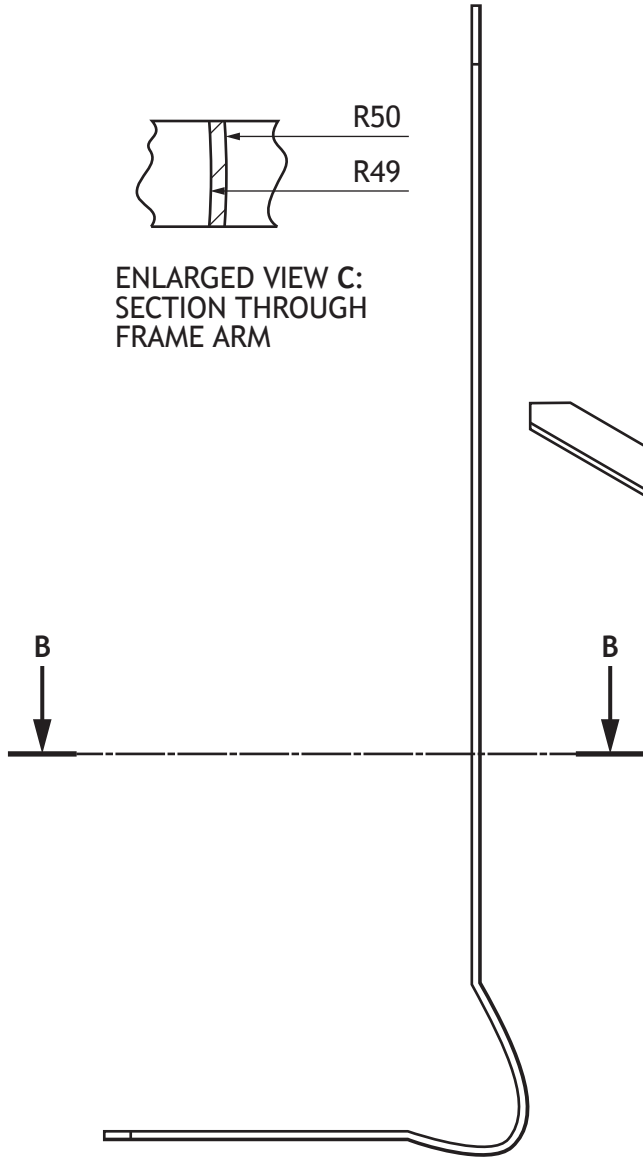
Image 2: A printed leaflet aimed at communicating statistical information to the general public



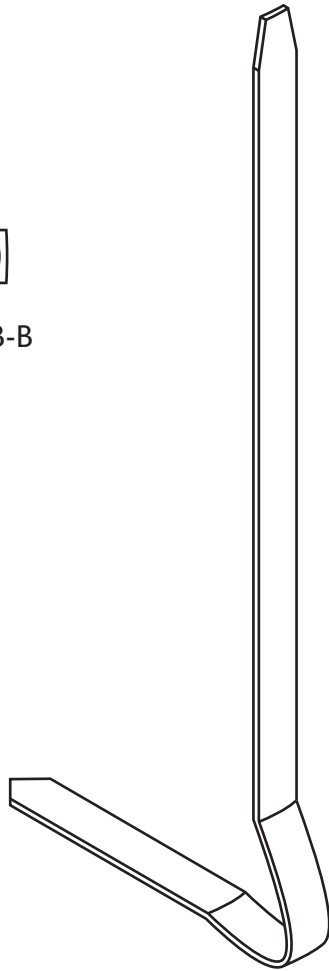
SECTIONAL PLAN OF FRAME ARM B-B



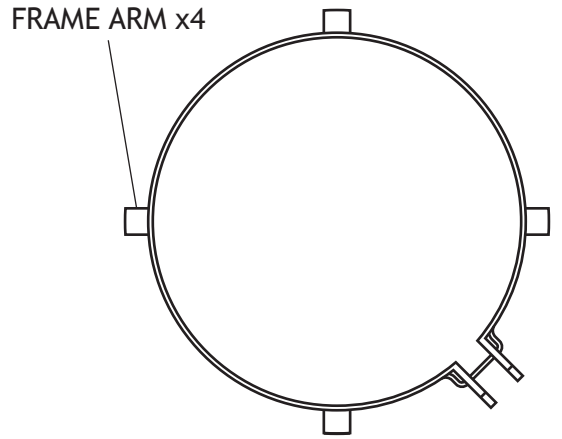
ENLARGED VIEW C:
SECTION THROUGH
FRAME ARM



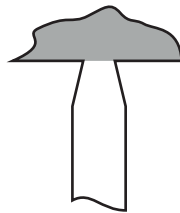
ELEVATION OF FRAME ARM



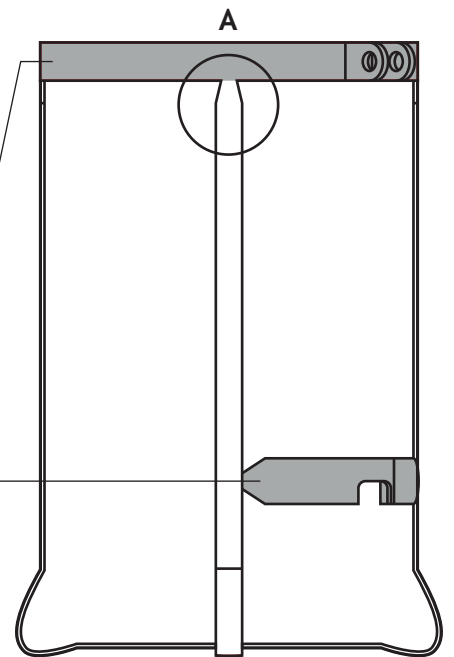
ISOMETRIC
VIEW OF
FRAME ARM



PLAN OF COMPLETE FRAME



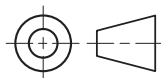
ENLARGED VIEW A:
TOP DETAIL OF
FRAME ARM



ELEVATION OF COMPLETE FRAME

Author:	ANON
Tolerance:	N/A
Scale:	Not to Scale
Sheet No:	1
Title:	Cafetiere Project
Drawing Title:	Cafetiere Frame
Dimensions:	Millimetres (mm)

Centre lines and hidden detail removed for clarity

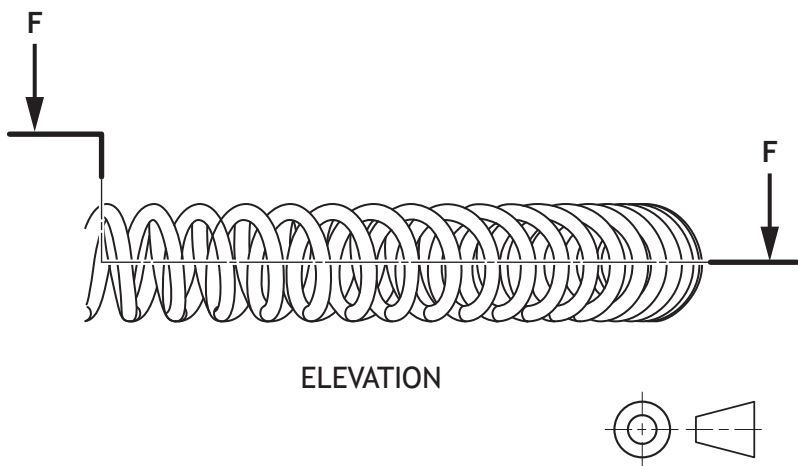
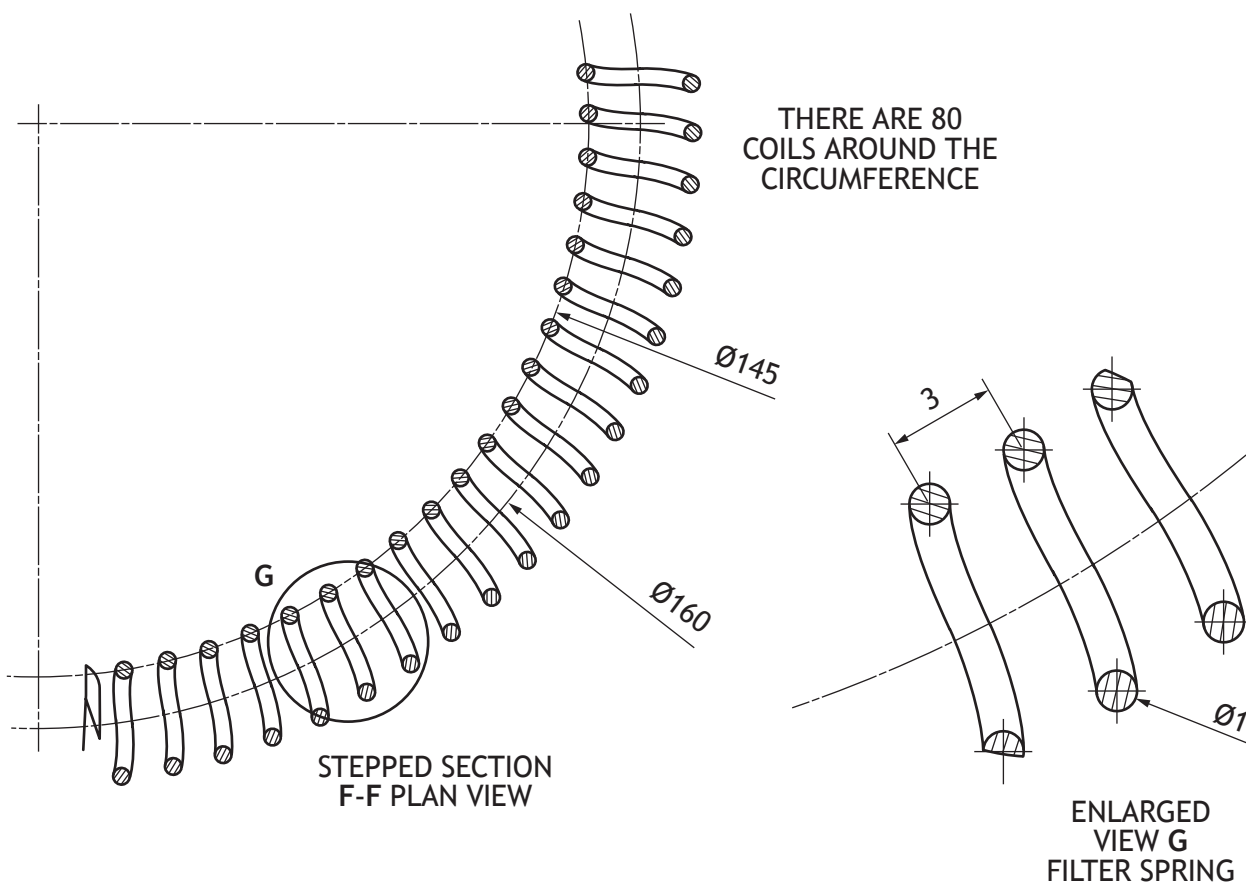


CAFETIERE FRAME

CAFETIERE FILTER SPRING



2 POINT PERSPECTIVE VIEW



Author:	ANON
Tolerance:	N/A
Scale:	Not to Scale
Sheet No:	1
Title:	Cafetiere Project
Drawing Title:	Filter Spring
Dimensions:	Millimetres (mm)

[BLANK PAGE]

DO NOT WRITE ON THIS PAGE

[BLANK PAGE]

DO NOT WRITE ON THIS PAGE

ACKNOWLEDGEMENTS

Question 1 – MPFphotography/Shutterstock.com
Yazzik/Shutterstock.com
IrinkaArt/Shutterstock.com
cobraphotography/Shutterstock.com
Nitr/Shutterstock.com
Joshua Resnik/Shutterstock.com
Teri Virbickis/Shutterstock.com
Brent Hofacker/Shutterstock.com
Dallas Events Inc/Shutterstock.com

Question 2 (e) – Pressmaster/Shutterstock.com
AD Hunter/Shutterstock.com
pne/Shutterstock.com
arip teguh santoso/Shutterstock.com
lukeruk/Shutterstock.com
Blablo101/Shutterstock.com
Nizwa Design/Shutterstock.com