



National  
Qualifications  
2019

**X735/77/11**

**Graphic Communication  
Supplementary sheets**

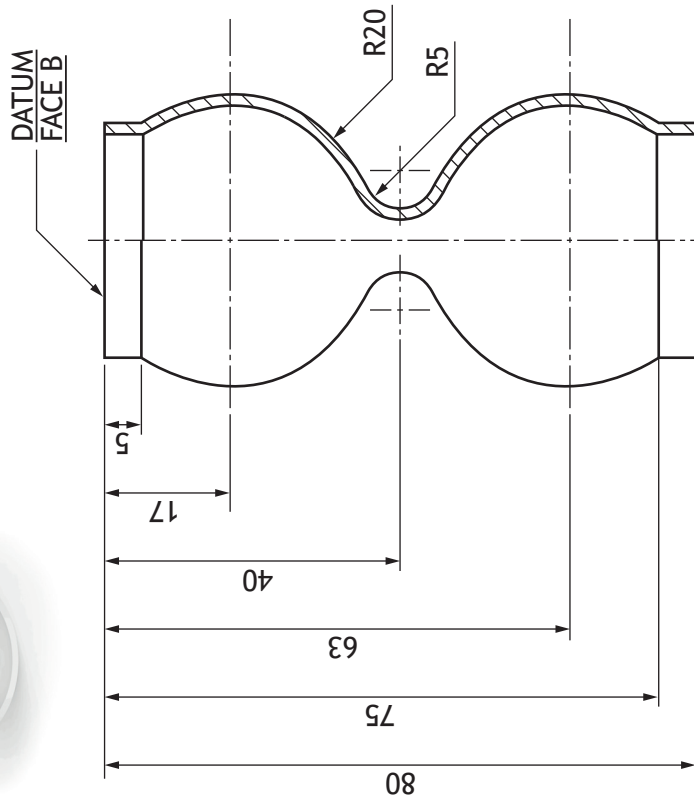
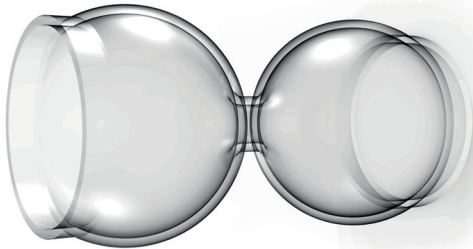
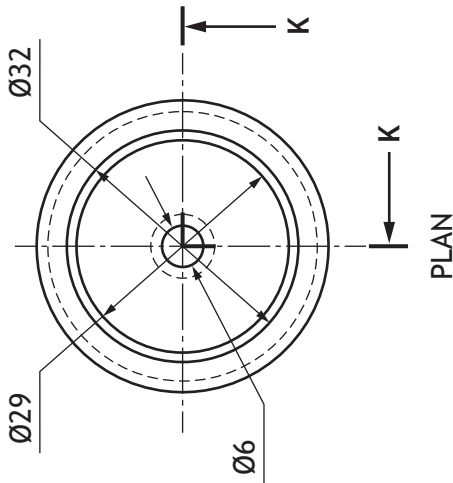
TUESDAY, 21 MAY  
1:00 PM – 3:00 PM

Supplementary sheets for use with questions 1 and 3.

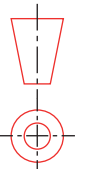


\* X 7 3 5 7 7 1 1 \*

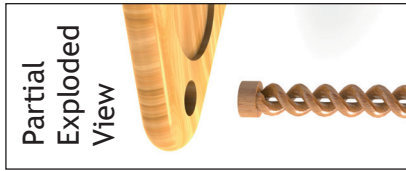
### Glass Container



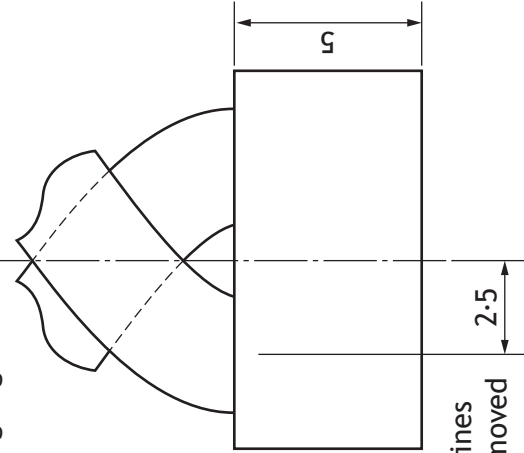
HALF SECTION  
ELEVATION K-K



### Supporting Leg



Enlarged View E  
Supporting Leg Detail  
Scale 5:1

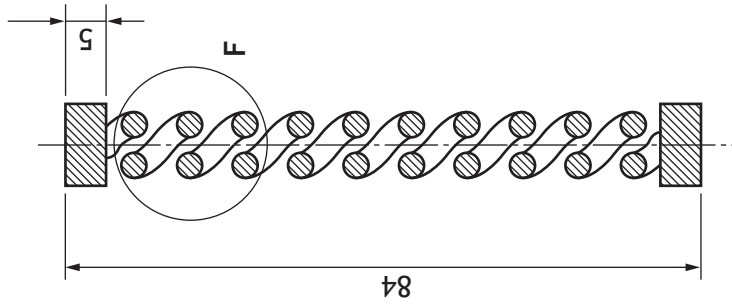
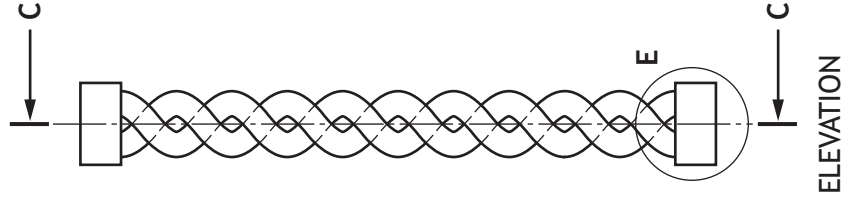
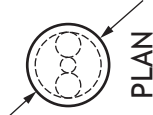


Enlarged View F  
Supporting Leg Detail  
Scale 2:1

TOLERANCE A

Ø10+05

Ø9-95



Egg Timer Part Drawings

Drawing Number 1

Advanced Higher Graphic Communication

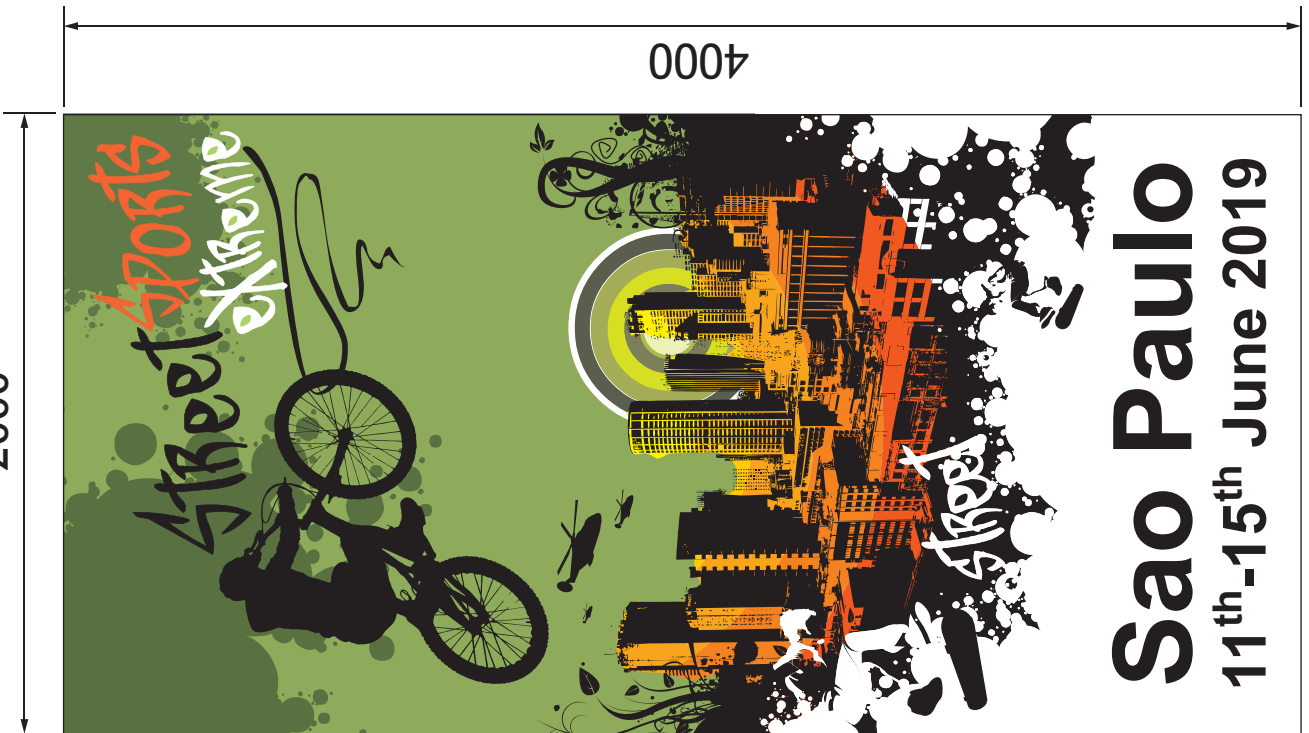
Tolerance ± 0.1

Scale: 1:1

Date: 10/10/2018

Supplementary sheet for use with question 3

2000



[BLANK PAGE]

DO NOT WRITE ON THIS PAGE

*Acknowledgement of copyright*

Question 3      filip Robert/shutterstock.com

Denis Semenchenko/shutterstock.com